



DO00600 - POINT OF USE LIQUID WATER (CONDENSATE) REMOVER

EXCEPTIONAL COMPRESSED AIR QUALITY GUARANTEED

Dropout® will dramatically improve compressed air systems throughout the industry. The unique design allows it to efficiently remove >99.9999% of liquid water and remove other contaminants down to 1 micron.



DO00600

PRODUCT OVERVIEW

- 21 cfm rated flow rate @ 7 Bar
*See technical data on pages 2 & 3
- 15 bar(g) maximum pressure
- 3/4" BSPT/NPT inlet/outlet connection
- 1 micron particulate removal (>99% removal efficiency)
- Stainless grade 304 316 or Aluminium

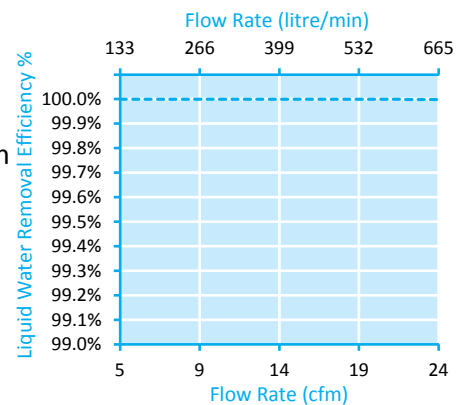
...see page 2 & 3 for detailed product specification

FEATURES

- ISO 12500 - Part 3 & 4
- >99.9999% Liquid water removal efficiency
- No consumables
- No increase in pressure drop caused by blocked filters
- No mains power
- Significantly lower life cycle costs
- Easy to install
- Instantaneous recovery from pulsed flows or stop start
- Virtually maintenance free

>99.9999%

LIQUID WATER REMOVAL



COMPACT

The DO00600 is a 'Compact' Dropout® unit and is used as an in-line point of use liquid water separator and contaminant remover. It is used in a wide range of applications and flow rates:

- Superior protection for your application at point of use
- Stand-alone replacement for water separators and/or coalescing filters
- Protection upstream of refrigerant & desiccant dryers

Unlike traditional cyclonic separators which rely on constant and stable flows, Dropout® has the ability to maintain its performance levels during start up where it reaches optimum performance in a fraction of a second.

All the protection you need in one device instead of having to purchase and maintain a multiplicity of different products.

Save money, save energy, save time.

For additional benefits we recommend you fit a Dropout® Auto-drain. Please see our website or contact us for further information.

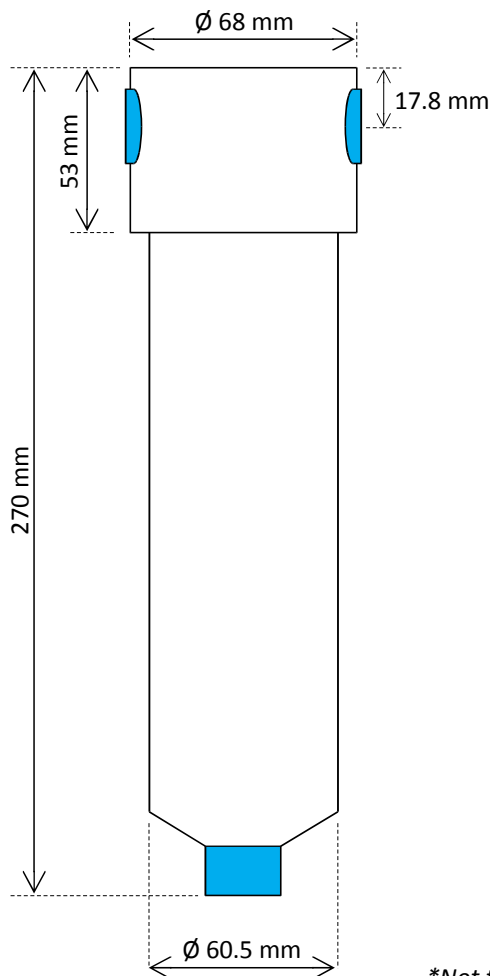
TECHNICAL DATA

Operational Specification	
Flow rate for a 7 bar(g) system min - max (rated)	0.06 - 51 m ³ /hr (34)
	0.04 - 30 cfm (21)
	1 - 850 litre/min (566)
Operating pressure	1 - 15 bar(g)
	15 - 217 psi(g)
Operating temperature	>0 to +80 °C
	>32 to 176 °F
Maximum recommended inlet temperature	35 °C
	95 °F

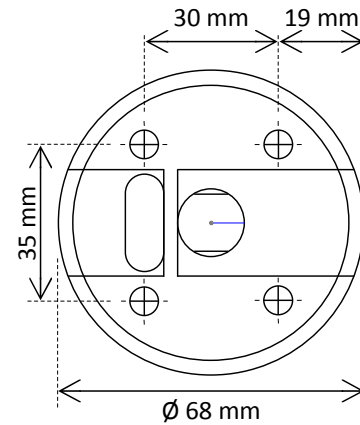
Mechanical Specification	
Product code	DO00600
Water storage	280 cc
Inlet/Outlet connection	3/4" BSPT/NPT
Drain connection	1/2" (m) BSPT
Weight	1.93 kg
Product dimensions	270 mm x 60.5 mm Ø
Particulate removal	1 micron (tested to 0.2 micron)
Material (housing)	SS304 SS316 Aluminium
Material (internal)	ABS

	Correction Factors														
Line Pressure (psig)	14.5	29.0	43.5	58.0	72.5	87.0	101.5	116.0	130.5	145.0	159.5	174.0	188.5	203.1	217.6
Line Pressure (barg)	1	2	3	4	5	6	7	8	9	10	11	12	13	14	15
Correction Factor	0.53	0.63	0.73	0.79	0.87	0.94	1.00	1.09	1.17	1.25	1.33	1.40	1.48	1.56	1.64

Product Line Drawing*



Line Drawing for Mounting*



Screws M6 x 8 mm

*Not to scale

Box Contents	QTY
DO00600 Unit	1
Manual drain valve	1
Mounting bracket	1
Screws M6 x 8 mm	4
Bolts	4
Manual	1

Auto-drains available contact us or visit our website

PRESSURE DROP (at 7 barg)

